
HC-1230, HC-1240 and HC-1250 Series Hygrostats

Product Bulletin

The HC-1230 series room hygrostats and the HC-1240 and HC-1250 series duct hygrostats are designed to control humidifying and dehumidifying equipment.

The HC-1230 and HC-1240 provide one SPDT contact.

The HC-1250 provides two SPDT contacts.



HC-1230 room and HC-1240/HC-1250 duct,
Hygrostat

- **Room or duct enclosures, wide set point range**
Flexible application.
- **SPDT contact**
Used for humidification or dehumidification and provides alarm signal.
- **Model with two SPDT contacts available**
Available for two switching ranges with neutral zone.

Ordering Codes

Product Code	Enclosure and contact
HC-1230-7001	Room, 1 SPDT contact
HC-1240-7001	Duct, 1 SPDT contact
HC-1250-7001	Duct, 2 SPDT contacts

Note: A fixing bracket for the duct hygrostats is included in delivery.

Accessories

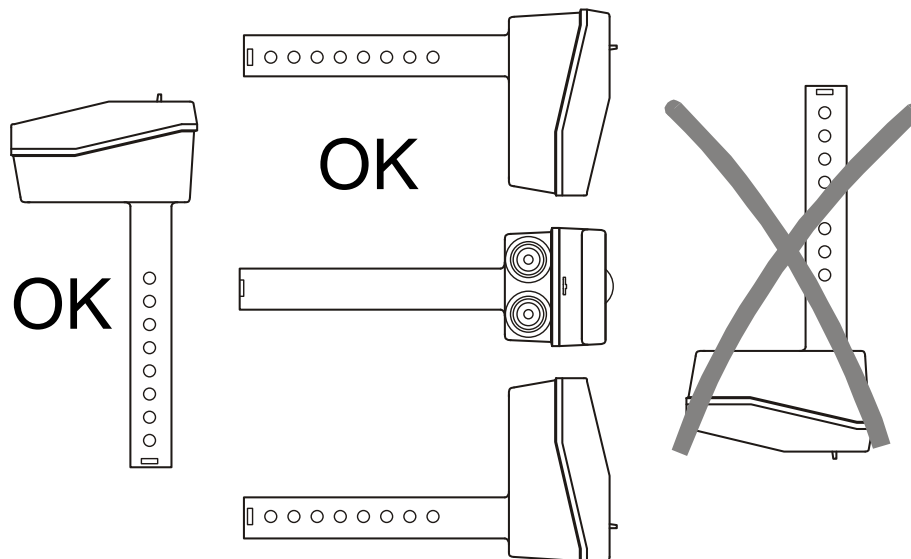
EQ-1240-7001	Kit for IP55 duct enclosure
EQ-1230-7001	Wall bracket

Installation and wiring instructions

To install please follow the instructions below:

- Locate the hygrostats where they will be exposed to normal ambient conditions.
- Avoid untypical draughts.
- Avoid exposure to direct heat or light radiation (sun, lamps or radiators), as this will cause incorrect readings.
- Avoid installing the hygrostats close to the humidification device, this could lead to condensation affecting the hygrostat.

Please note the installation orientation as illustrated in figure below.



WARNING



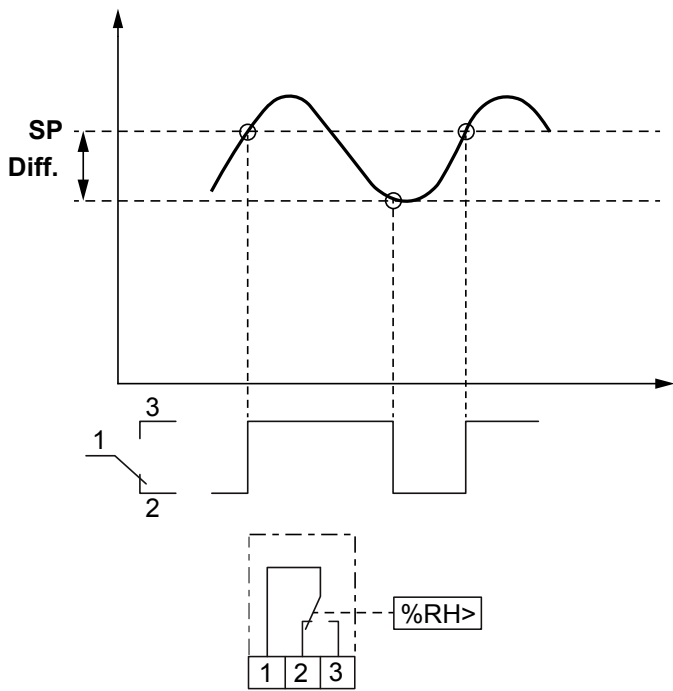
Shock Hazard

Disconnect the power supply before wiring connections are made to prevent personal injury, shock or damage to equipment.

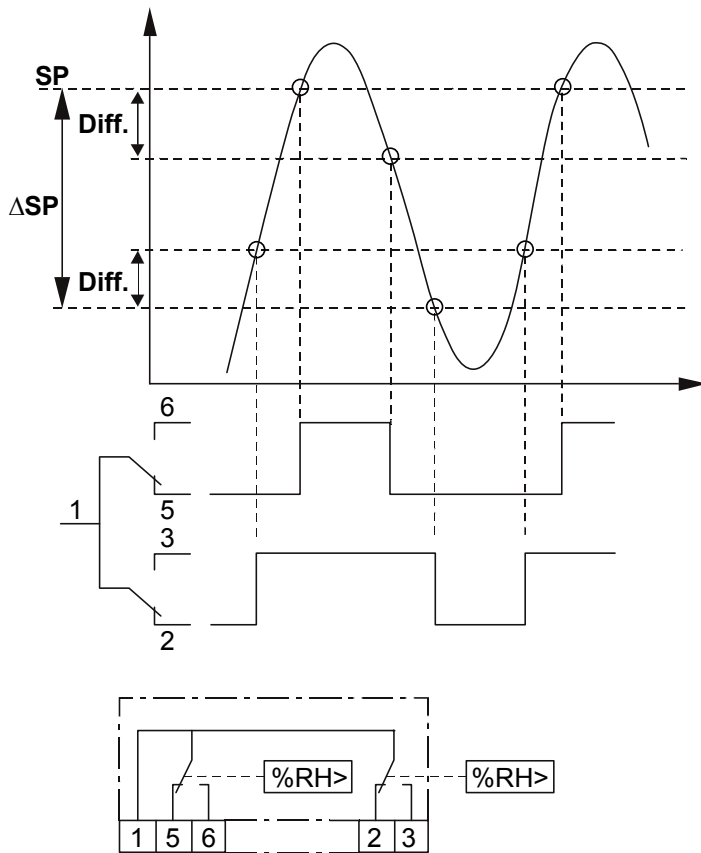
Equipment Damage Hazard

Make and check all wiring connections before applying power to the system. Short circuited or improperly connected wires may result in permanent damage to the unit.

Wiring diagram

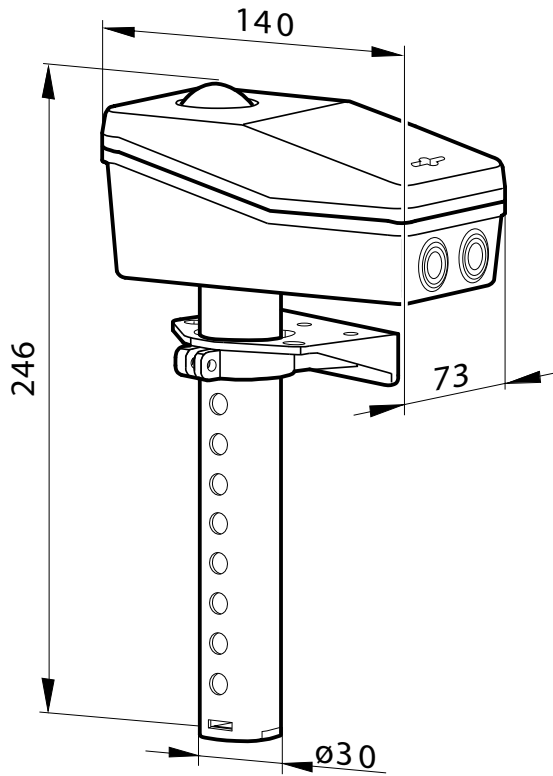


HC-1230 and HC-1240

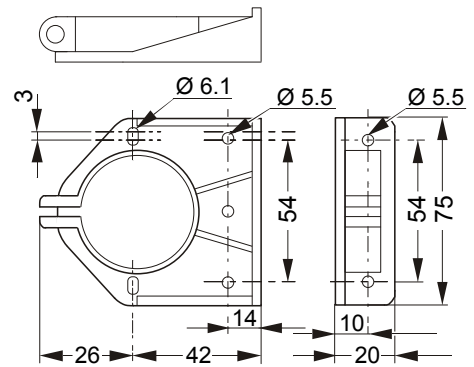


HC-1250

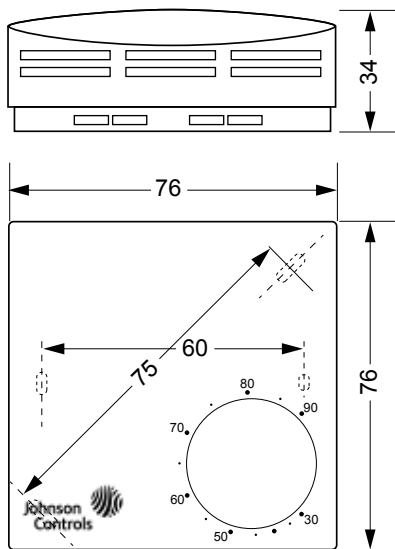
Dimensions (in mm)



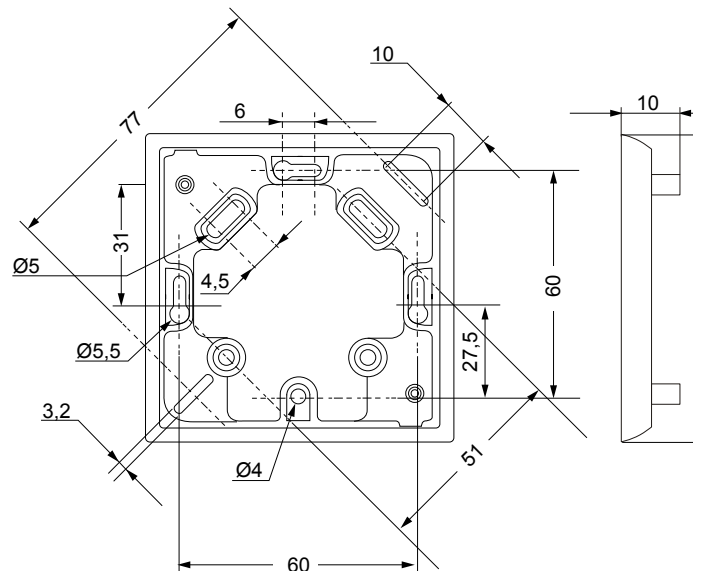
HC-1240 and HC-1250 models



Fixing bracket for HC-1240 and HC-1250 models
(incl. in delivery)



HC-1230 models



Accessory for HC-1230 models
(Wall bracket)

Technical Specifications

Models	HC-1230-7001 Room Hygrostat	HC-1240-7001 Duct Hygrostat	HC-1250-7001 Duct Hygrostat
Sensing element	Stabilised synthetic textile		
Contacts	1 SPDT		2 SPDT
Operating range (SP)	30...90 % RH	15...95 % RH	
Switching differential (Diff.)	6 % RH	4 % RH	
Neutral zone (Δ SP)	---		6...25 % RH
Time constant	Approx. 5 min. at 0,2m/s	Approx. 3 min. at 0,2m/s	
Calibrated at	55 RH at 23 °C		
Long term stability	Approx -1,5 % RH / annum		
Ambient temperature limits	0...40 °C (-25...40°C noncondensing)	0...70 °C (-25...70°C non-condensing)	
Enclosure protection	IP 20	IP 30 (IP 55 with kit EQ-1240-7001)	
Casing materials	Cover	PC Lexan 940	PC / ABS Cycloy C2100
	Base	PPS Fortron 1140L4. Fibre glass reinforced	
Electrical ratings	Max. 5 (3) A, 250 VAC; Min 100 mA, 24 VAC		
Electrical connections	Screw connectors max. 2 x 1,5mm ²		
Net shipping weight	135g	445g	470g



Johnson Controls, Inc., declares that these products are in compliance with the essential requirements and other relevant provisions of the EMC Directive (89 / 336 EEC) and LVD (73 / 23 / EEC)

The performance specifications are nominal and conform to acceptable industry standards. For application at conditions beyond these specifications, consult the local Johnson Controls office. Johnson Controls, Inc. shall not be liable for damages resulting from misapplication or misuse of its products.